

CONWENNA

Multipurpose Pusher Tug, AHTS

Project KPT-2500 1C Pusher Tug



MORWENNA
Shipping Company

- Barges • Pusher & Towing Tugs • Towages of all types •
- Heavy-lift and outsize cargo shipment •
- Technical management •

www.mwship.com

CONWENNA • PUSHER TUG, AHTS

YEAR OF BUILD:	DEPTH:
2018	3,50 m
PLACE OF BUILD:	DRAFT:
NL, Thecla Bodewes Shipyards	2,30 m / 2,60 m
LENGTH:	POWER:
40,60 m	3450 h.p.
BREADTH:	BOLLARD PULL:
13,00 m	39 t
PORT OF REGISTRY:	IMO NUMBER:
Novorossiysk	9826172

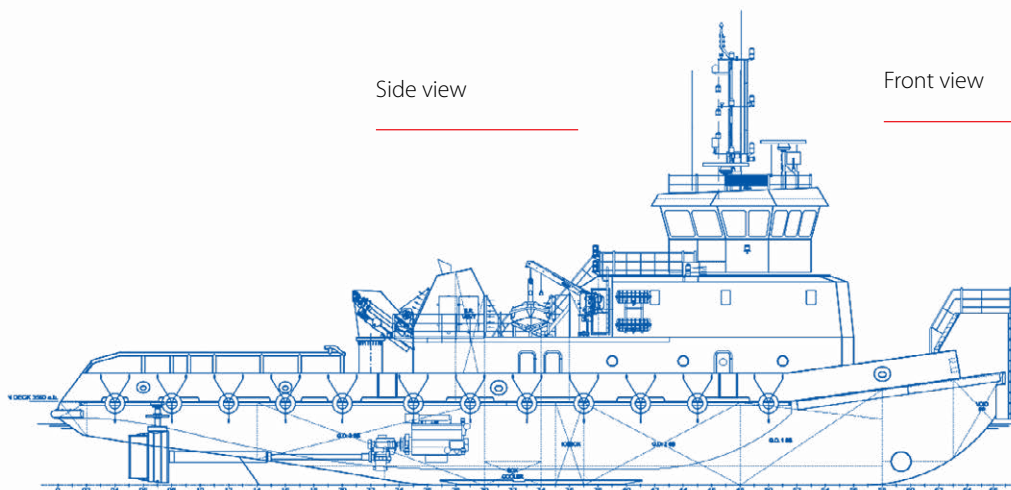


CLASS:

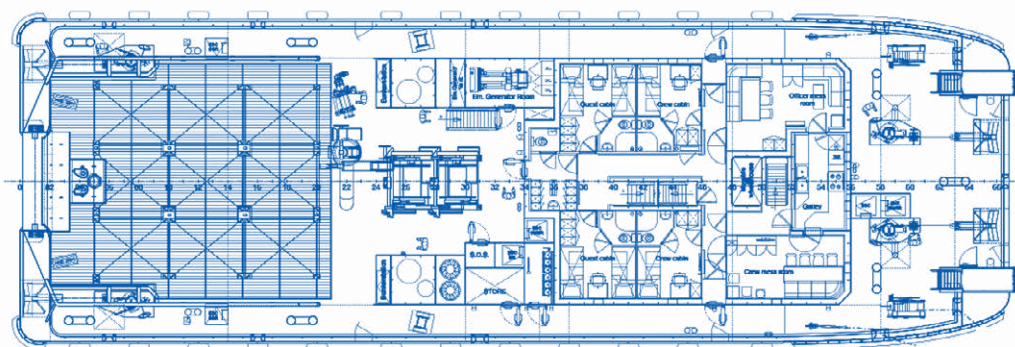
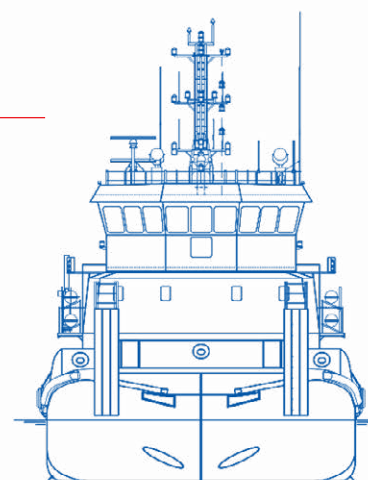
RINA, C \boxtimes tug; supply vessel-anchor handling; unrestricted navigation; \boxtimes AUT-UMS; ICE CLASS IC; MON-SHAFT; PMS

• KPT2500-1C PUSHER TUG •

Side view



Front view



Top view

PROPULSION

MAIN ENGINES:	2x Cummins QSK-50 (2x 1268 kW)
PROPELLERS:	2x fixed-pitch
POWER:	2x 1268 kW / 3450 h.p.
BOW THRUSTER:	1x Veth Propulsion VT-180-001, 200 kW
DESIGN BOLLARD PULL:	39 t

AUXILIARIES

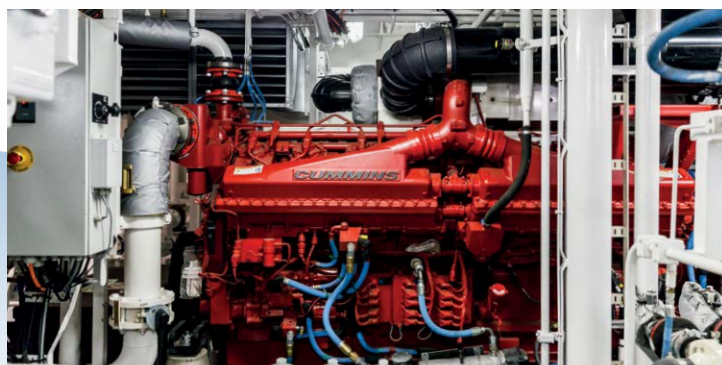
DIESEL GENERATOR SETS:	2x Cummins QSM11-DM, 265 kW
HARBOUR GENSET:	2x Stamford HCM434F1, 248 kW
EMERGENCY GENSET:	Cummins QSB7-DM 165 kW

TOWING & ACHOR HANDLING

TOWING WINCH:	C-Nautical, C-HCWFTW, 1x 35 t @ 6 m / min
TOWING WINCH DRUM CAPACITY:	750 m x 40 mm
AUXILIARY WINCH:	C-Nautical, 10 t @ 15 m / min
AUXILIARY WINCH DRUM CAPACITY:	150 m x 18 mm
CRANE:	Heila HLRM 65/6S, 3 t @ 16,92 m; 5 t @ 13,5 t
TOWING PINS:	C-Nautical
STERN ROLLER:	1x 50 t

RADIONAVIGATION EQUIPMENT

CALL SIGN:	UBUQ9
GMDSS:	3x Sailor, A3 Area
MF TRANSCEIVER:	1x Sailor
SATCOM:	1x Inmarsat Sailor 150 FBB
INMARSAT:	Sailor 6110
VHF (C/W DSC) RADIOTELEPHONE:	2x Sailor 6222, 1x Sailor 6210
MH/HF RADIOTELEPHONE:	1x Sailor 6301
AUTOPILOT:	1x Nautopilot NP60
GYROCOMPASS:	Navigat-100, 5026
LOG:::	JRC JLN-205MK2, NJC-25
MAGNETIC COMPASS:	2x Reflector -180/181
NAVTEX:	JRC NCR-333
RADAR:	2x JRC JMA-5300Mk2
ECHO SOUNDER:	JFE-380
GPS:	Sailor 6588
AIS:	Sailor 6280
ECDIS:	Transas Navi-Sailor 4000



CAPACITIES

GROSS TONNAGE:	592 t
NET TONNAGE:	177 t
DIESEL FUEL:	210,00 m ³
FRESH WATER MAKER UNIT:	1x 5,50 m ³ / d
POTABLE WATER:	34,08 m ³
BILGE WATER:	5,00 m ³
SEWAGE:	39,60 m ³
LUB OIL:	6,00 m ³
DIRTY OIL:	4,30 m ³



**Notable feature:
retractable wheelhouse**

LIFE SAVING APPLIANCES & EQUIPMENT

IMMERSION SUITS:	24x Smart 2A
PYROTECHNICS:	available
LIFEJACKETS:	24x Besto
LIFERAFTS:	4x Viking ,16 persons
SOLAS:	applicable
MARPOL:	applicable

ACCOMODATION

TOTAL POB:	20
CABINS:	10
CREW:	12

More than 40 fleet units:

KPT2500-1C PUSHER TUG

NEWBUILT



3 units
Multipurpose AHT, Supply Vessels with Ice class IC

MB

Project 07521



3 units
Tugs with Ice Class IC

RT-600

Project 1741AM



1 unit
Pusher Tug with Ice Class (Ice 10)A

OT-2000

Project 428.1



1 unit
Pusher Tug with Ice Class IC

CHEMBA



1 unit
Methanol barge

RORO-PONTOON 6516

Project 6516



1 unit
RORO-pontoon with Ice Class IC

ARCTIC



1 unit
Multipurpose AHT, Supply Vessel with Ice class 1A

SILVER LOWENNA



1 unit
Multipurpose AHT with Ice Class ICE

BTO

Project 81200



3 units
Pusher Tugs with Ice Class (Ice 30)A

OT-2400

Project N-3290/3291



8 units
Pusher Tugs with Ice Class (Ice 20)A

RORO-PONTOONS

Project 8916



11 units
RORO-pontoons with Ice Class IC

RORO-PONTOON GRPN

Project 8516



1 unit
RORO-pontoon with Ice Class 3

IEVOLI ORANGE



1 unit
Multipurpose AHT, Supply Vessel with Ice class 1A

SOWENA



1 unit
Multipurpose AHT with Ice Class ICE

OZERNY

Project N-3180



1 unit
Pusher Tug with Ice Class IC

OTA-800

Project 758AM



1 unit
Pusher Tug with Ice Class (Ice 20)

RORO-PONTOONS SIMMAR

Project 9516



2 units
RORO-pontoons with Ice Class ICE

RORO-PONTOONS 16801



3 units
RORO-pontoons

@morwennashipping

See all of our fleet on website: WWW.MWSHIP.COM

TEL.: +7 (495) 151-85-20

E-MAIL: chartering@mwship.com

HEAD Office №20018, Golovinskoe shosse 5-1,
OFFICE: business center «Vodny», Moscow, 125212, Russia

Morwenna Shipping company LTD.

